

## Features

- Universal input 100-240VAC
- Interchangeable Power Supply
- Approved to UKCA, CE, CCC, FCC, TUV, RoHS, REACH
- UL/IEC/EN 62368-1 Safety Approved
- Meets Efficiency Level VI
- EMC Class B Certified
- Single Output 9-30V DC
- OVP, OCP, OTP & amp; Short Circuit



Ideal Power's 15DYS850-xyW-K-RS 50W AC/DC External Adapter Interchangeable Power Supply (PSU) Series are certified to UKCA, CE, CCC, FCC, TUV, RoHS, REACH & EN 62368-1/IEC 62368-1/UL 62368-1 Standards and comply with (EU) 2019/1782, Level VI Efficiency Regulations. These are primarily used in ITE, Audio & Video Industries and customised solutions are available upon request.

### Models

Model Number	RS Part Number	Output Voltage	Output Current	Output Power
15DYS850-090500W-K-RS	200-8926	9V DC	5A	36W
15DYS850-120420W-K-RS	200-8928	12V DC	4.2A	50.4W
15DYS850-150336W-K-RS	200-8929	15V DC	3.36A	50.4W
15DYS850-180280W-K-RS	200-8930	18V DC	2.8A	50.4W
15DYS850-240210W-K-RS	200-8931	24V DC	2.1A	50.4W
15DYS850-300168W-K-RS	200-8932	30V DC	1.68A	50.4W

### Input Data

	Min	Typical	Max	Units	Notes
Input Voltage	100	--	240	V AC	100-240VAC +/- 10%
Input Frequency	47	--	63	Hz	50-60Hz +/- 5%
Input Current	--	1.3	--	A	@ 100-240Vac input & Full load
Inrush Current	0	--	60	A	At cold start, 100 / 240V AC
Leakage Current	--	--	0.25	mA	@ 264Vac / 50Hz

**Output Data**

	Min	Typical	Max	Units	Notes
Output Voltage	--	5	--	%	
Ripple & Noise	150	--	300	mVp-p	
Turn-on Delay Time					3S max. @ 100 Vac to 240 Vac input & Full load
Hold-up Time					5mS min. @ Full load & 100Vac/60Hz input turn off at worst case
Over Current Protection					The output shall hiccup when the over currents applied to the output rail, and will recover when the fault condition is removed
Short Circuit Protection					Continuous short circuit proof. Will recover if fault condition is removed
Over Voltage Protection					Will recover if fault condition is removed

**Environmental Data**

	Min	Typical	Max	Units	Notes
Operating Temperature	0	--	+40	°C	
Storage Temperature	-20	--	+80	°C	
Relative Humidity	10	--	90	%	
Operating Humidity	5	--	95	%	

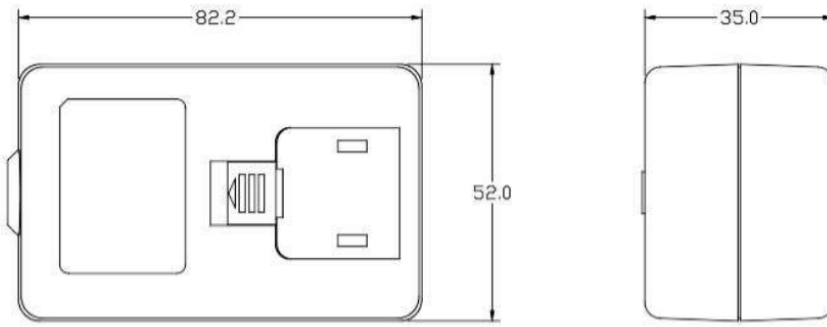
**Other Information**

Insulation Resistance	50MΩmin. at primary to secondary add 500Vdc test voltage				
Dialectic Strength	Primary to Secondary: 4242VDC / 5mA <sub>Max</sub> / 60second(3 seconds for mass production)				
MTBF	The MTBF shall be at least 50,000hours at 25°C, Full load, and nominal input condition.				
Weight					
Dimensions	Refer to mechanical drawings				

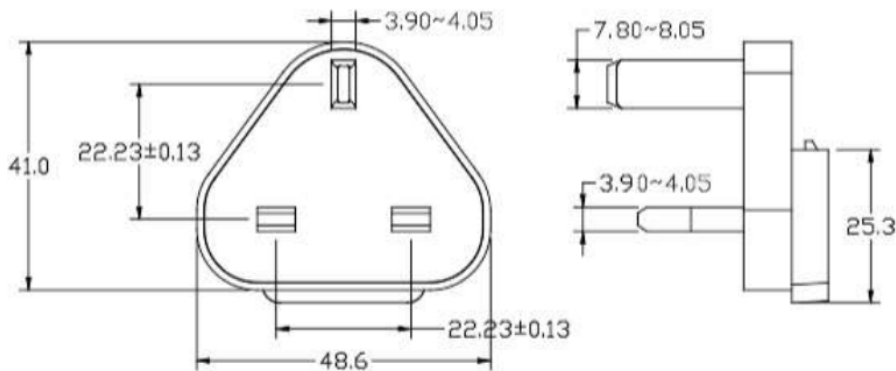
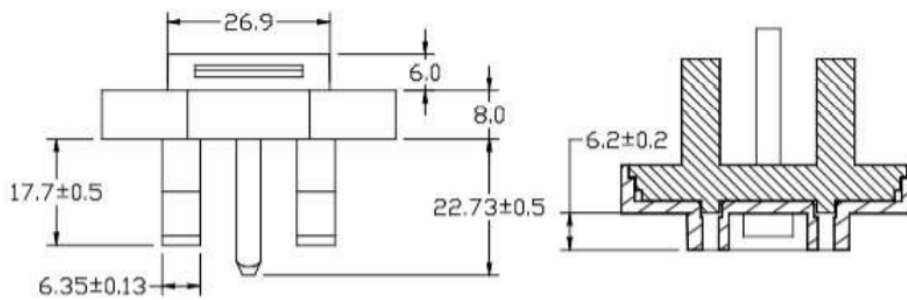
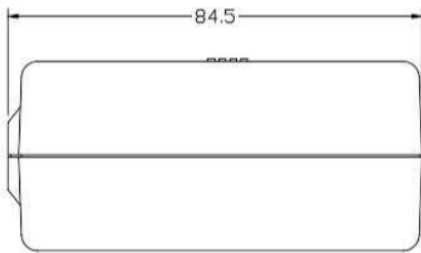
**EMC Immunity (2014/30/EU)**

	Standard	Test Level	Criteria	Notes
EMS	EN 55035			
ESD	IEC 61000-4-2		B	Contact: +/- 4KV; Air: +/- 8KV
RS	IEC 61000-4-3			Frequency: 80-1000MHz; Field Strength: 3V/M ' 80% AM (1KHz)
EFT	IEC 61000-4-4		A/B	0.5/1.0KV on input AC power ports
Surge	IEC 61000-4-5		A	Differential mode: +/- 2KV (peak) Common mode: +/- 2KV (peak)

Mechanical Drawing

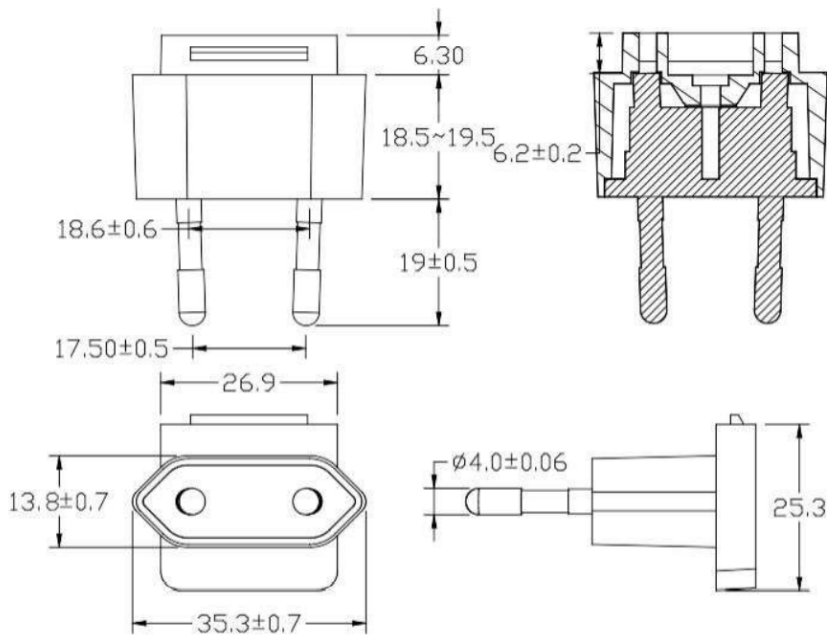


**CASE**



**UK PIN**

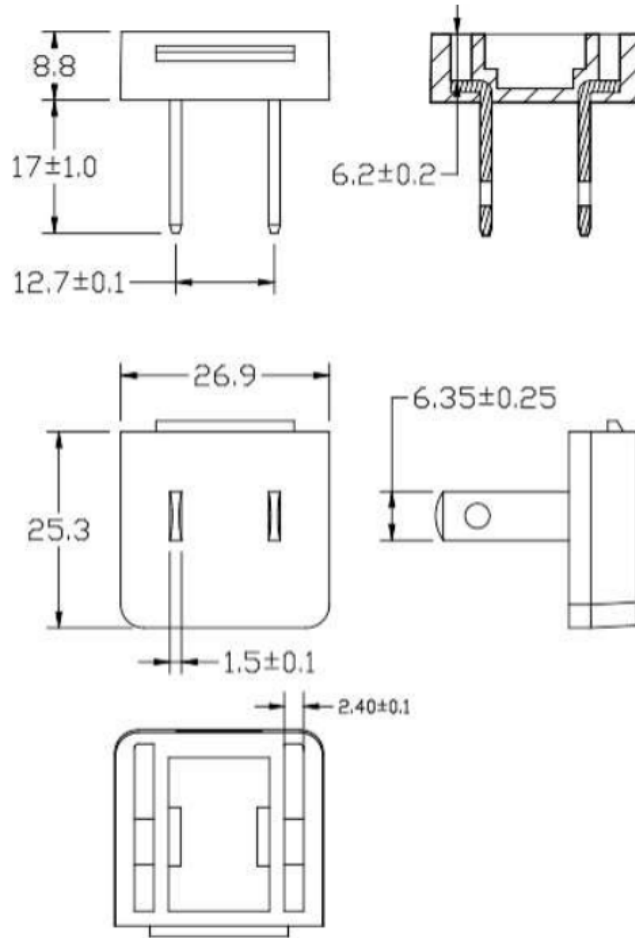
Mechanical Drawing (Continued)



**EU PIN**

AC – DC

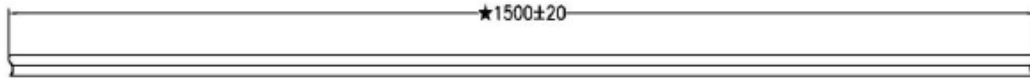
Mechanical Drawing (Continued)



**US PIN**

AC – DC

Cables



1, UL 2468 24AWG

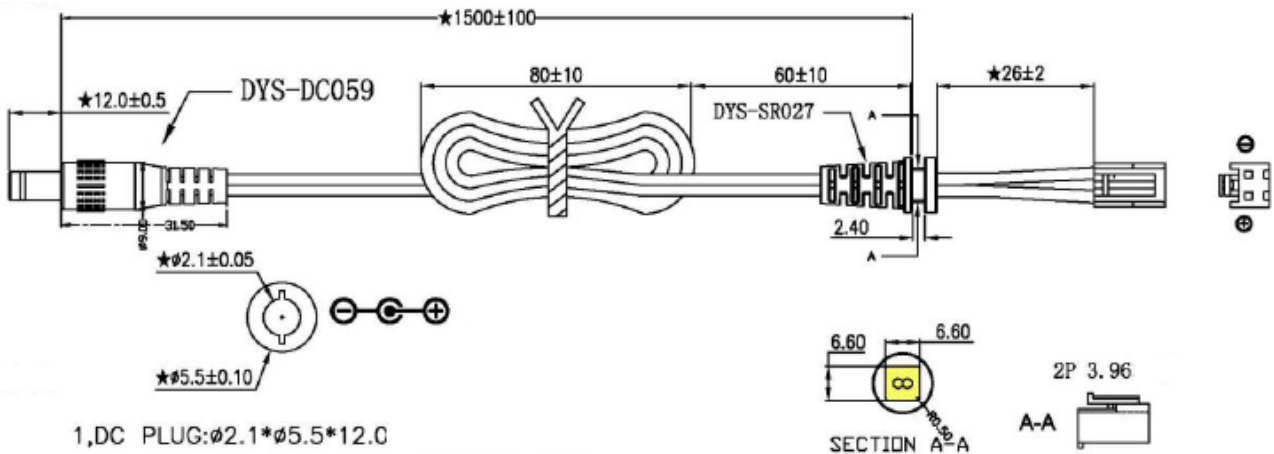
5Kg SR

10Kg

200g 120°

45回

2000次Min



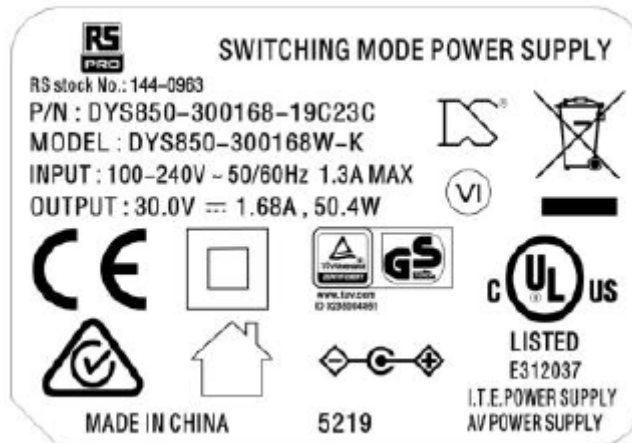
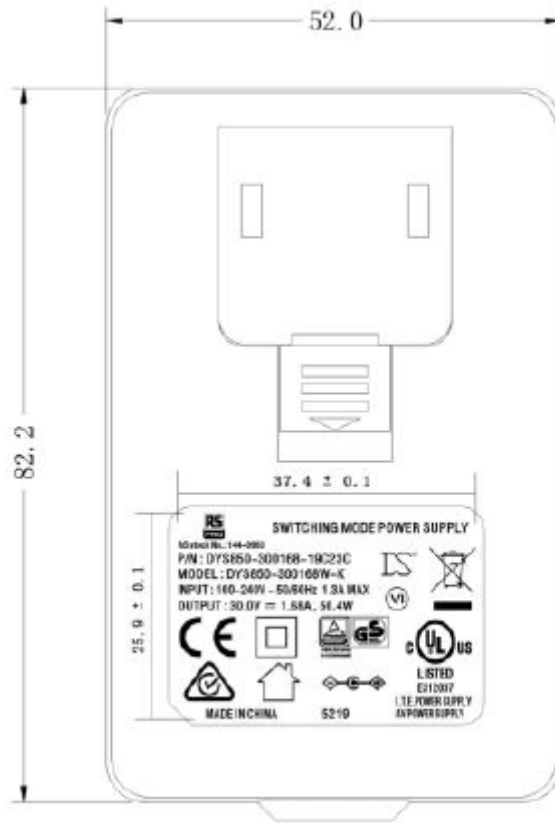
1,DC PLUG:φ2.1\*φ5.5\*12.0

2,SR SIZE:6.6\*6.6\*2.4

Model Number	Output Cable
15DYS850-090500W-K	1.2m* UL2468 16A WG lead
15DYS850-120420W-K	1.5m* UL2468 20A WG lead
15DYS850-150336W-K	1.5m* UL2468 22A WG lead
15DYS850-180280W-K	1.5m* UL2468 22A WG lead
15DYS850-240210W-K	1.5m* UL2468 22A WG lead
15DYS850-300168W-K	1.5m* UL2468 24A WG lead

AC - DC

Labels



AC - DC

Packaging

PLASTIC BAG



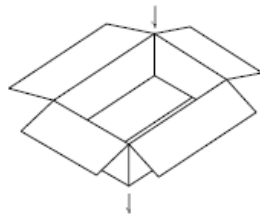
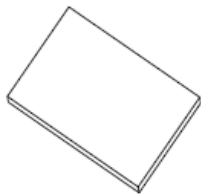
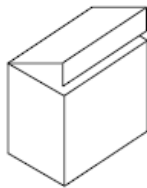
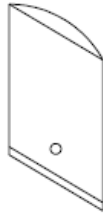
WHITE BOX



CARDBOARD



PAPER CASE



MECHANICAL DIMENSION:

	L(mm)	W(mm)	H(mm)
PLASTIC BAG (for body)	210	130	
PLASTIC BAG (for plug)	110	80	
WHITE BOX	143	70	60
CARDBOARD	370	296	
PAPER CASE	380	306	275

PACKING METHOD:

PACKING METHOD	10PCS/LAYER *4LAYERS
QTY	40PCS
N.W	7.0Kg
G.W	8.5Kg